

Cheshire Lutheran Church Memorial Garden and Columbarium Guidance for Cremation Containers

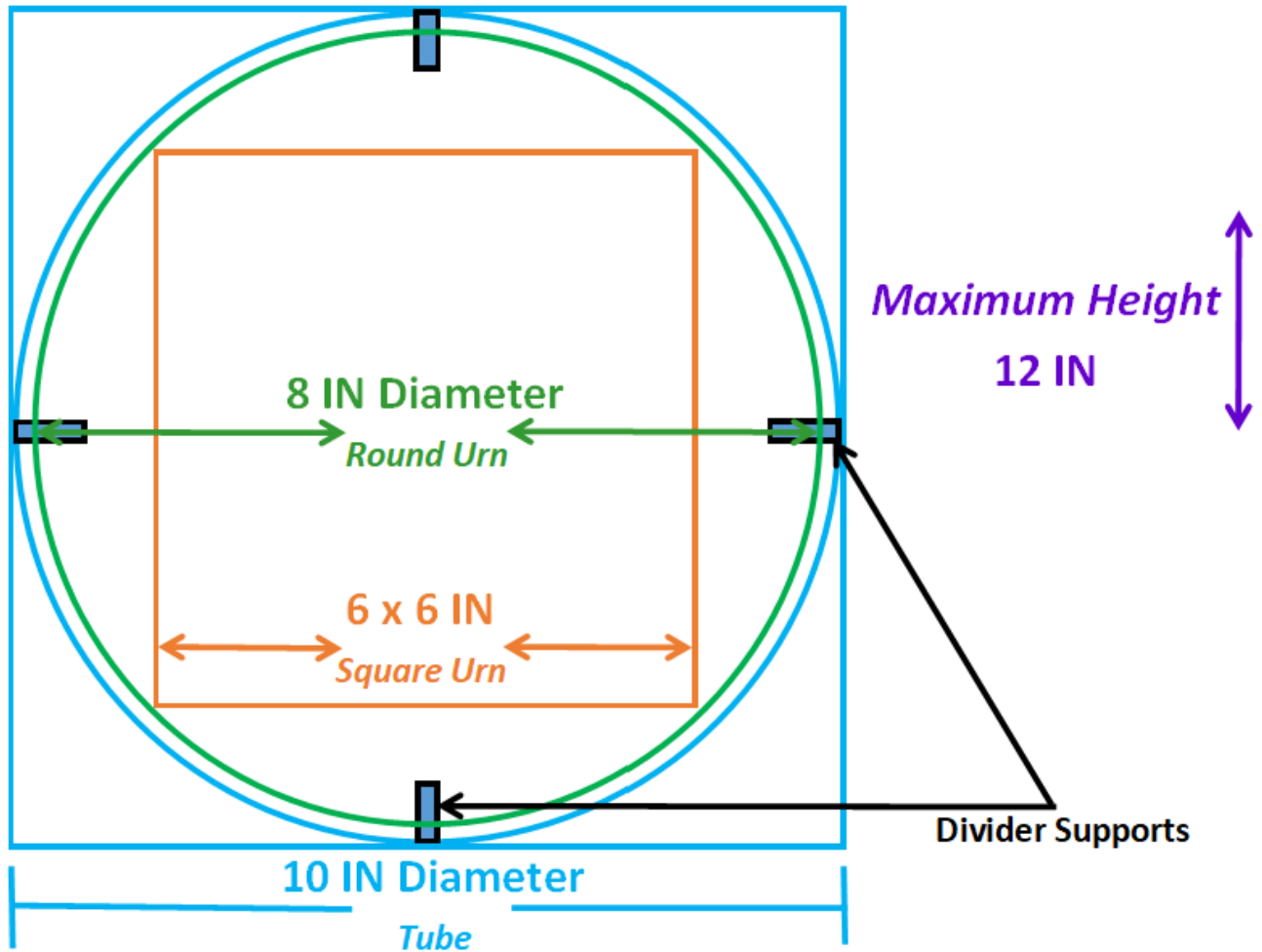
WHERE ARE CREMATION Containers (Urn/Box) OBTAINED?

The best available source for the purchase of a cremation urn is a funeral home. All funeral homes offer cremation urns in a wide variety of shapes, themes, and materials. You can also purchase a cremation urn/box from the Internet.

WHAT ARE THE GUIDELINES FOR Containers (Urn/Box)?

The following guidelines are important for you to understand when purchasing a container (urn/box) for the cremains of your loved and will be placed within the Columbarium at Cheshire Lutheran Church:

- All cremated remains inurned in the **Cheshire Lutheran Church Columbarium** must be contained in an approved cremation container
- As indicated in our **Bylaws Concerning the Columbarium and Memorial Garden** - All Containers (Urn/Box) must permanently display the name and date of death of the Decedent
- Urns must be made of non-perishable material. Temporary containers made of plastic, Styrofoam, cardboard, paper, glass or other perishable or breakable materials are not suitable for placement in our Columbarium niches.
- Columbarium niches at **Cheshire Lutheran Church** are 10 IN in diameter and hold a maximum of 2 containers (urn/boxes) containing cremains. The niches, although 10 IN in diameter, also contain divider supports that could impact certain size containers
- Columbarium niches at **Cheshire Lutheran Church** can accommodate containers as follows:
 - Round Containers – 8 IN diameter and maximum of 12 IN in height
 - Square Containers – 6 x 6 IN and maximum of 12 IN in height
 - Rectangular Containers – 6 x < 6 IN and maximum of 12 in in height. Rectangular containers must be placed sideways into the niche
 - Other shapes, please refer to above guidelines and below diagram
 - Please see diagram on next page, to aid you in obtaining a proper container for your loved one.



If you have questions or need assistance with any of the above Guidelines, please feel free to discuss with any member of the Columbarium Committee and/or Pastor.